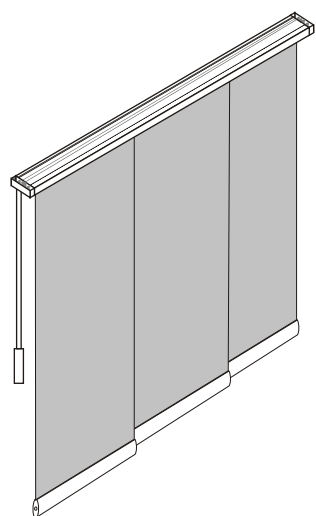


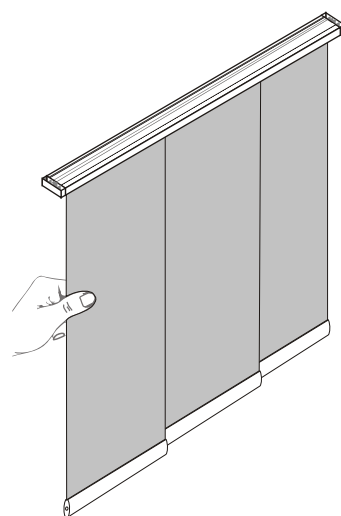
Actionare cu snur

panourile gliseaza unul tras de celalalt, actiunea fiind realizata cu ajutorul snurului



Actionare cu vergea

panourile gliseaza unul tras de celalalt actiunea fiind realizata cu ajutorul vergelei prinse de primul panou



Fara actionare

panourile gliseaza liber, actiunea fiind realizata cu mana individual pe fiecare panou in parte

sina	2 canale		3 canale			4 canale			5 canale		
	N-O	C	N-O-M	C	CA	N-O	C	CA	N-O-M	C	CA
numar panouri	2	3	3	4	5	4	6	7	5	8	9
100 cm	52,5										
120 cm	62,5										
140 cm	72,5	50,0	50,0								
160 cm	82,5	56,5	56,5								
180 cm		63,5	63,5	49,0		49,0					
200 cm		70,0	70,0	54,0		54,0					
220 cm		76,5	76,5	58,0		58,0					
240 cm		83,5	83,5	64,0	52,0	64,0			52,0		
260 cm		90,0	90,0	69,0	56,0	69,0			56,0		
280 cm				74,0	60,0	74,0	51,0		60,0		
300 cm				79,0	64,0	79,0	54,0		64,0		
320 cm				84,0	68,0	84,0	57,5	50,0	68,0		
340 cm				89,0	72,0	89,0	61,0	53,0	72,0		
360 cm					76,0		64,0	56,0	76,0	49,5	
380 cm					80,0		67,5	58,5	80,0	52,0	
400 cm					84,0		71,0	61,5	84,0	54,5	49,0